



Thermostat

BJW51 Model

Description

Our model BJW51 product is a thermoregulator with a highly solid plastic body, this product is Desingned for maintaining the temperature in pipes or other equipment. Our device can be attached directly to the machinery that requires it.



Scan me

N °	Parts
1	Central box
2	Connection box
3	T° regulator
4	Wired point
5	Measuring capillary
6	Base
7	Top

Technical specifications

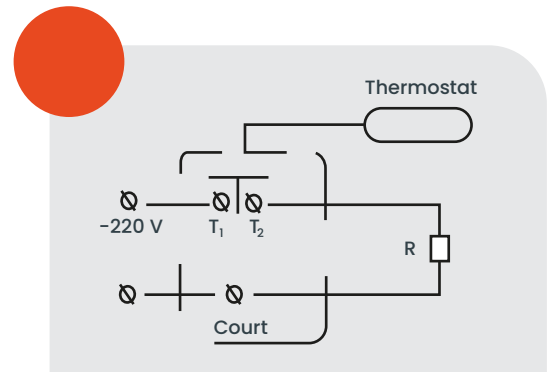
- Level EX: ExdemII BT4Gb

Model	Nominal voltage	Rated current	Range T °	Ignition differential	Level IP	Precision T °
BJW51	220 - 660v	15 A	0 - 150°C	2.5 C	IP 54	2.5 C

Comind boxes are manufactured in accordance with GB3836 - 2000 standards.

Functioning

When the temperature of the capillary sheath controlled medium exceeds the set temperature, the gas in the thermostat expands by heating, the contacts T1 and T2 disconnect, cutting off power automatically. When the set temperature is regulated, contacts T1 and T2 close again, generating an automatic response to power transmission.



R	Center box
T ₁ T ₂	Thermostat contact
	Thermostat connection

Dimensions

