



# T WAY BOX

## FTH Model

[www.comind.cl](http://www.comind.cl)  
[www.comindindustries.com](http://www.comindindustries.com)  
[info@comindindustries.com](mailto:info@comindindustries.com)

## Description

The T-way box is used for the connection of Comind Trace self-regulating heating cables. It can be used in normal or dangerous areas. This product is designed to unit one more heat trace line in the pipeline.

## Technical specifications

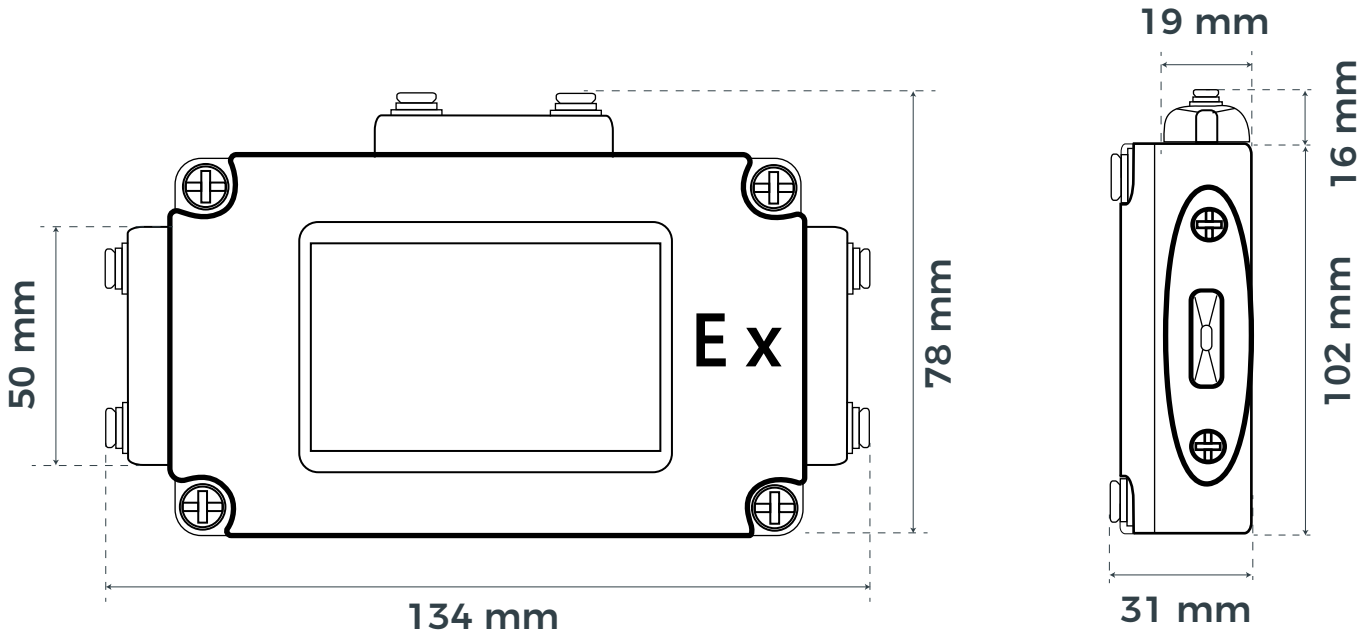
- Model FTH
- Volt input 220v – 380v
- Degree of protection IP54
- Amps 40 A
- Level EX: ExdemllBT4Gb

## Kit contents

N°	Part
1	Line splice casing
2	Power cable entries
3	Sealed eyelets

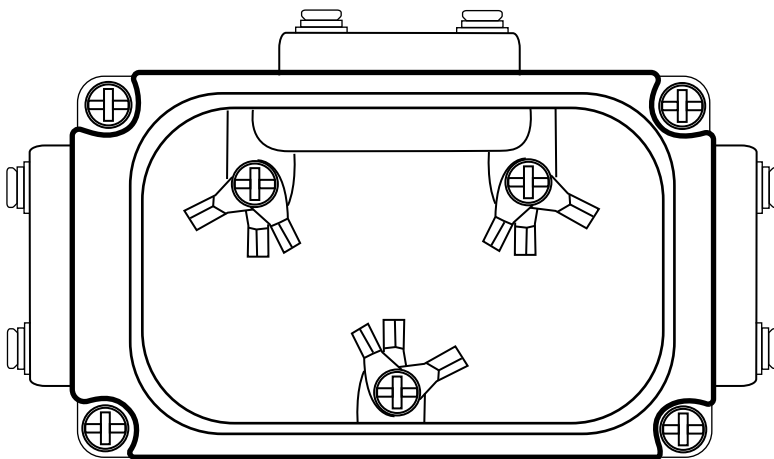


## Dimensions



Front view

Right side view



Front view without cover