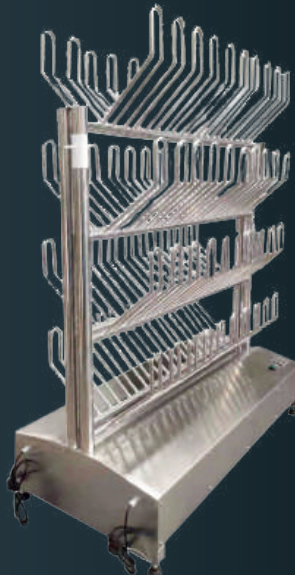




USER MANUAL BOOTS DRYER LINE SS



1. General Information

This manual prepared and distributed by Comind Industries is intended to convey recommendations, warnings and requirements regarding your purchase and use of the products described below. Visit the Comind Industries website (<https://www.comind.cl/>) or contact Comind customer service for further product information. To ensure proper use of the equipment, the user should carefully review this Manual.

FAILURE TO COMPLY WITH THE INFORMATION PROVIDED IN THIS MANUAL IMPLIES THAT THE USER ASSUMES ALL RISKS AND LIABILITIES ARISING FROM SUCH FAILURE.

SAFETY INSTRUCTIONSNOTE: Boot dryers are designed and manufactured for use in heating boots of various sizes.NOTE: Operating current is important for the user to calculate in order to properly size the power cord and other components for safe operation of the equipment.

SAFETY STATEMENTThe user must ensure that the installer uses all relevant PPE (personal protective equipment) when executing the equipment.



WARNING

Risk of electrical shock

Any installation of the supplied equipment should only be performed by a qualified electrician in accordance with applicable national and local electrical codes.

This product is not designed for use in classified (hazardous, ATEX) locations.

WARNING - RISK OF ELECTRIC SHOCK

It is the user's responsibility to properly size the ground wire and ensure that the impedance is low enough to ensure the safety of a person.



2. Technical Specifications

The equipment is made of SU304 stainless steel, with high speed fan and constant temperature heating module.

Special design for storing various boots, shoes, etc. It has multiple openings to realize complete and uniform drying by multifunctional controller. Ozone disinfection can effectively sterilize and prevent the reproduction of bacteria, eliminating the odor inside the boots.



TECHNICAL DATA

MODEL:	SS 10 PAIRS	SS 20 PAIRS	SS 40 PAIRS
PRODUCT SIZE:	760*600*1640 MM	1360*600*1640 MM	1380*750*1900 MM
POWER:	1 KW	1.1 KW	2.2 KW
NET WEIGHT:	23 KG	50 KG	104 KG
VOLTAGE:	220 V	220 V	220 V
TEMPERATURE RANGE:	0 - 60 °C	0 - 60 °C	0 - 60 °C



SCAN AND DOWNLOAD
OUR MANUAL

3. Installation

BEFORE INSTALLING

Inspect for any damage that occurs during shipping, storage or handling.

MOUNTING DIRECTION

The assembly of our boot dryers must be wall mounted. Take care of the electrical components on the back side of the product. Ensure a minimum distance of 30 cm from the wall.

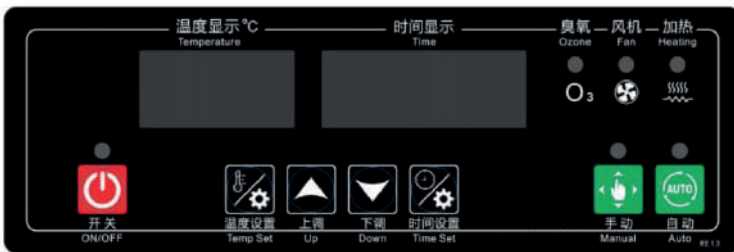


CAUTION

Do not cover the fan outlet with any object, this may cause damage to the equipment.

4. Temperature Control

1. Adjust the thermostat to ensure proper operation of the equipment.
2. Adjust the temperature and drying time.
3. The control panel works as follows:

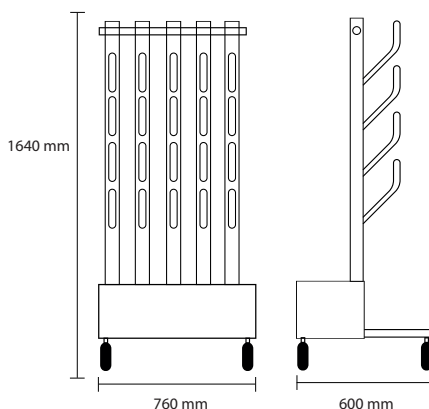


Manual Mode

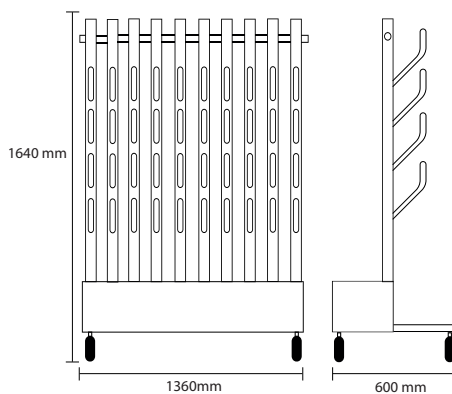
1. In standby or manual mode: press and hold "Time Set" for 1 second to enter the setting system, then press "Up" or "Down" to modify the clock according to the time zone and finally press "Time Set".
2. In manual mode: press and hold "Temp Set" for 1 second to enter manual temperature setting, adapt it to your needs and press "Temp Set" to exit (Recommended use between 42°C and 45°C).

5. Reference Images and Drawings

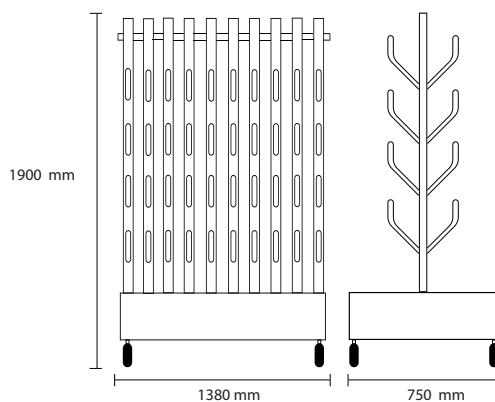
MODELO SS 10 PAIRS



MODELO SS 20 PAIRS



MODELO SS 40 PAIRS



6. Matters needing attention

1. The recommended drying temperature is 42°C-45°C. When the temperature is adjusted too high, please do not touch the surface of the stainless steel equipment with your hands to prevent burns.
2. Do not wash the control panel directly with water.
3. If the equipment needs to be repaired, please cut off the power supply. And please professional maintenance
4. The appliance is not to be used by persons (including children) with reduced physical, sensory or mental capabilities, or lack of experience and knowledge, unless they have been given supervision or instruction
5. Children being supervised not to play with the appliance.

7. Inspection and Maintenance

The maintenance of the equipment must be performed by COMIND INDUSTRIES personnel. If your company is located far from the headquarters area, it is recommended to contact your assigned executive to manage the steps to follow.

Note: Do not allow water to enter the control panel.

HOW TO ORDER SPARE PARTS

If you do not know your Comind representative, visit our website <http://comind.cl> and use the Where to Buy tool. To order your spare part, please indicate the product numbers so that the salesperson can find the manufacturing route of your equipment.

8. Warranty

COMIND Industries warrants these products to be free from defects in materials and workmanship for a period of 6 months from the date of shipment. If this product proves defective during its warranty period, COMIND will repair the product at no additional charge, or provide a replacement in exchange for the defective product.

This warranty shall not apply to any defect, failure or damage caused by improper use or maintenance.