



CONEXION
YOMOGA
BOX

DESCRIPTION

Yomoga Box is a handy power junction box for ComindTrace heating cable with the following features:

- Feed-through terminal block with spring clamp makes the connection easy and reliable.
- The quantity of terminals can be adjusted according to the number of cables to make sure each wire has a dedicated connecting block.
- The power cable can be installed through any of the three openings of the box.
- Yomoga Box can also serve as a splice junction box with three openings available for splicing heating cables.
- The box can be installed using T-Standoff or be wall mounted by the two external mounting holes.
- The lid is hinged at the box and its bolts and nuts are embedded in the box, so no worry for dropping them especially at aloft work.



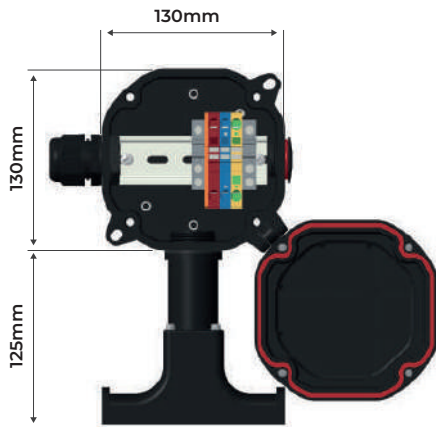
COMPONENTS

Power Junction box
G3/4 Retaining Cap
Locknut
Sealing Ring

SPECIFICATION

Maximum Voltage: AC277V
Maximum Current: 40A
IP Code: IP65
Minimum Installation Temperature: -30°C
Minimum Ambient Temperature: -40°C
Maximum Ambient Temperature: +55°C
Terminals: Phase, Neutral, Ground
Maximum Conductor Diameter: 6mm

DIMENSION



DRAWING

